



Model-**h**[®] Tablet



Model-*h*[®] Tablet

Model-h Tablet

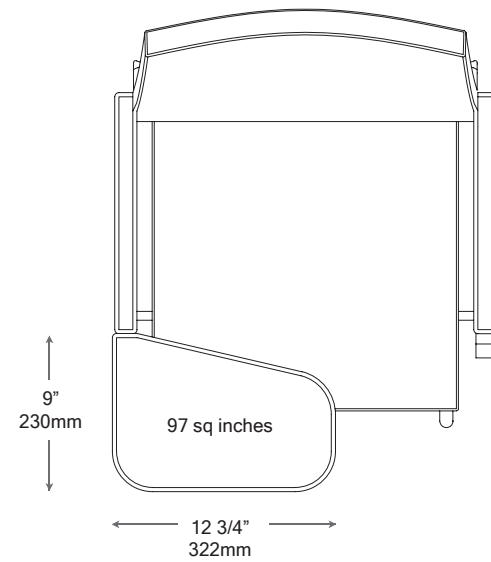
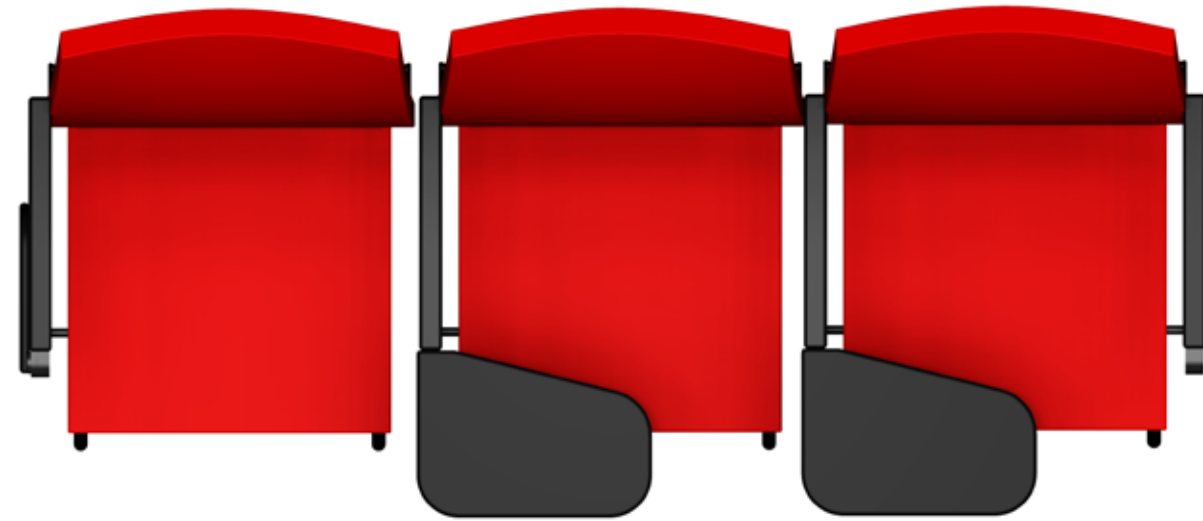


Single Arm

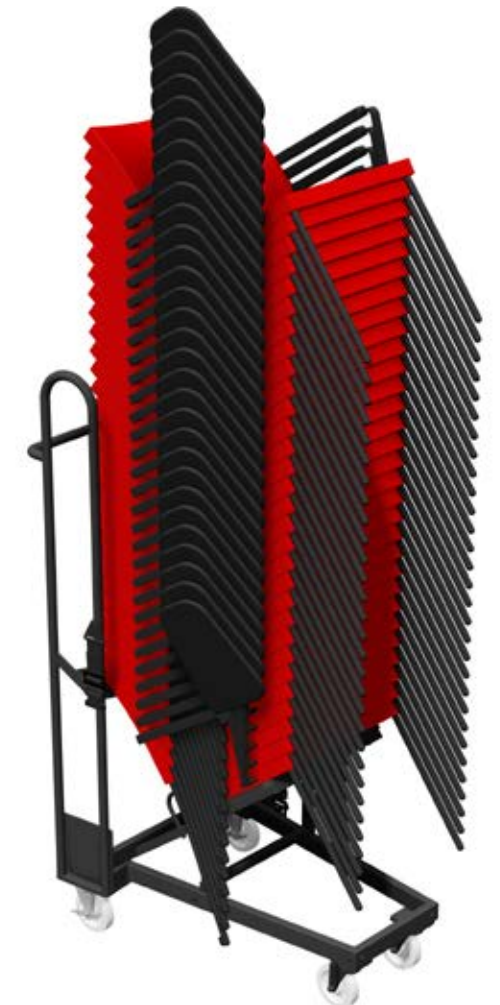


Double Arm





From every angle, the **SERIES® Model-h** chair is a functional work of art. The elegantly curved seat backs and seat bottoms are designed as a system. This design not only provides superior ergonomic comfort, but it is also visually appealing and adds to the chair's stacking stability up to 30 chairs.



KEY ATTRIBUTES

HIGH DENSITY UPHOLSTERED STACKING CHAIR WITH SIMPLE DESIGN AND COMFORT

- **Elegant Simple Design** with compelling visual dynamics will remain current for a lifetime.
- **Surround Foam Patented System** adds to your comfort, prevents fabric marks, prevents foam deterioration and keeps a cool temperature for long lasting use.
- **Patented Seat & Back Tubular Steel & Mesh Construction** maintains shape, increases durability and comfort to your seat and back. Backs have standard lumbar support. The seat construction will support up to **600 lbs.** on the front edge of the seat and up to **900 lbs.** across the middle of the seat.
- **Removable Slip Cover Upholstery** allows for quick change should fabric become soiled or outlives its useful life span without fabric puddling.
- **Linking Systems** allows you to connect chairs to each other on straight, radius or reverse radius row configurations.
- **Front Stacking** allows you to stack up to **30 chairs** and go through a standard **8-foot-high** door.
- **Tablet Arm Assembly** Active tablet arm returns to complete original position with one motion.
- **Series Seating manufactures in house all product components** including foam, engineered wood, steel, and upholstery saving cost and improving quality control on all products.

OPTIONS

CHAIR WIDTHS

21" (534mm)

BACK

Back Height: **34 1/2" (876mm)**

Fully upholstered snap-in cover or Matex snap-in cover on outer back

SEAT

Fully upholstered snap-in cover

ARMREST

Chair available in two versions, single arm or double arm. Armrests are made from integral skin polyurethane

SUPPORTS

Four legs support

LINKING SYSTEM

Integrated connecting system for straight or radius row configurations

ACCESSORIES

SIGNAGE

Removable magnetic seat number plates

Removable magnetic aisle row identification letter plates

Signage plates are surface mount

HOLDERS

Cup holder: **Steel removable rear mounted**

Communion Cup holder: **Rear mounted**

Book holder: **Steel removable rear mounted**

ROW ALIGNMENT

Latch to maintain alignment of straight rows

DOLLY

Nesting dolly capable of stacking up to **30 chairs**

SPECIFICATIONS

Chair envelope: **22 1/2" (572mm)**

Chair weight: **14 to 17 pounds (6.4 to 7.7 Kilograms)**

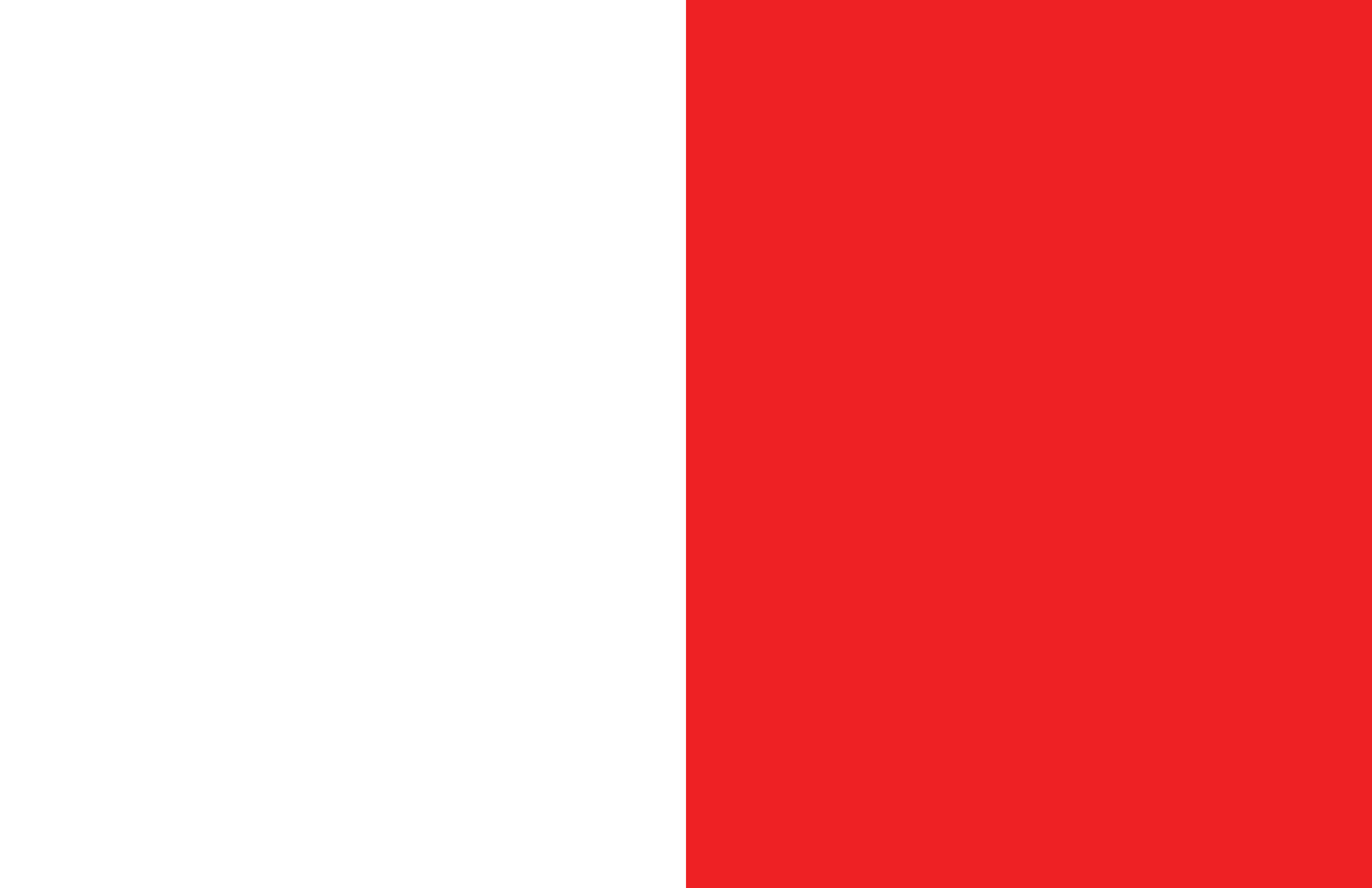
Dimensions are nominal and SERIES SEATING reserves the right to modify design & specifications without notice.

TEN YEAR WARRANTY on all chair components.

Fabric and lighting components will be manufacturer warranty. For complete warranty details contact

SERIES SEATING

MODEL h DESIGNED BY - Mauricio Olarte, Patents: # 14072657 - # 2,114,199





SERIES USA

Corporate Headquarters

20900 NE 30th Avenue

Suite 901

Miami, FL 33180

P + 1 - 800 - 729 - 1190 | + 1 - 305 - 932 - 4626

E info@seriesseating.com

SERIESWORSHIPSEATING.COM | SERIESSEATING.COM

SERIES Colombia

Carrera 7A Km. 21

Chía, Cundinamarca 250008

P + 57 - 1 - 518 - 8585

E info@seriesseating.com

SERIESWORSHIPSEATING.COM | SERIESSEATING.COM

SERIES Australia PTY LTD

68 Salamaner Way

Salamaner Bay, NSW 2317

P + 61 - 2 - 9986 - 3878 | + 61 - 412 - 085 - 982 | + 61 - 0412 - 435 - 089

E rxp@hadleyaustralia.com.au | hadley@hadleyaustralia.com.au

HADLEYAUSTRALIA.COM.AU | SERIESSEATING.COM

Member of Australasian Furnishing Research & Development Institute

© 2018 SERIES® Seating

Printed in USA by SERIES® Printing on FSC certified paper

0712181223



C0240256